



JS2-18004000-35-6P-S

Gawo la Nambala	JS2-18004000-35-6P-S	Mkhalidwe wa RoHs	
Wopanga / Chinthu	MITEQ (Narda-MITEQ)	Zolembe	5612 pcs stock
Mafotokozedwe Akatundu	AMPLIFIER	Chombo Chochokera	Hong Kong
Datasheets		Njira Yoperekera	DHL/Fedex/TNT/UPS/EMS

Pezani Mtengo

Chonde dinani "Pezani mawu" ndikudzaza minda yonse yofunikira. Tikuyankha pempho lanu patatha maola 24 kudzera pa imelo. Ngati mukukumana ndi zovuta zilizonse, chonde siyani uthenga kapena imelo ku info@global-ic.hk, ndipo tidzabweranso kwa inu posachedwa.

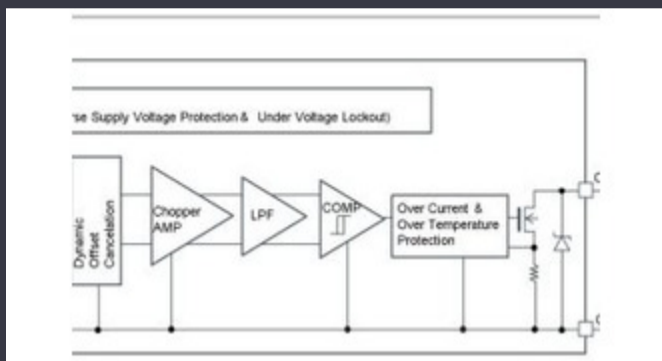
PEZANI MTENGO

Chithunzi chingakhale choyimira. Onani ndondomeko zogwiritsira ntchito mankhwala.

ASA1 JS2-18004000-35-6P-S

Mndandanda	*	Phukusi	Box
Nambala Yogulitsa	JS2-18004000		

Nkhani Zokhudzana



Zowunikira zamagetsi zamagetsi zimagwira ntchito mpaka 38V

2023/08/23

Module ya waya ndi waya wa Bespoke ndi magalimoto otsika

2023/09/13

Momwe Zakhalira Zochitika

2023/07/19

MOYO WABWINO KWAMBIRI

2023/07/21

Kutukula kwa Sourction Source kumapititsa patsogolo

2023/07/4

Makina a Mdyerekezi - Mdyerekezi Amakhala Ndi Zambiri Zophatikizidwa

2023/04/5

2023/03/16

TDK imawonjezera njira yamphamvu kumira ku Alt-KW DC PSUS

2023/09/15

Rohm amaphatikiza woyendetsa ndi gon hemt kuchotsa chipata mphamvu

2023/08/31

London yamagetsi yamagetsi yamagalimoto kuti mulumikizane ndi wopanga a Arizona

2023/08/15

Wotambasulira ma pcbs mu Smart Telliac polojekiti, ndi zina zambiri

2023/08/16

WorldDed World: Kuyankhulana Kanema - Kutalika pa R & D, kapangidwe ndi kugulitsa posungira

2023/03/27