



Chithunzi chingakhale choyimira. Onani ndondomeko zogwiritsira ntchito mankhwala.

VN460SP13TR

Gawo la Nambala	VN460SP13TR	Mkhalidwe wa RoHs	N/A
Wopanga / Chinthu	STMicroelectronics	Zolembe	5320 pcs stock
Mafotokozedwe Akatundu	IC PWR DRIVER N-CHAN 1:1 PWRSO10	Chombo Chochokera	Hong Kong
Datasheets	VN460SP.pdf	Njira Yopereker	DHL/Fedex/TNT/UPS/EMS

Pezani Mtengo

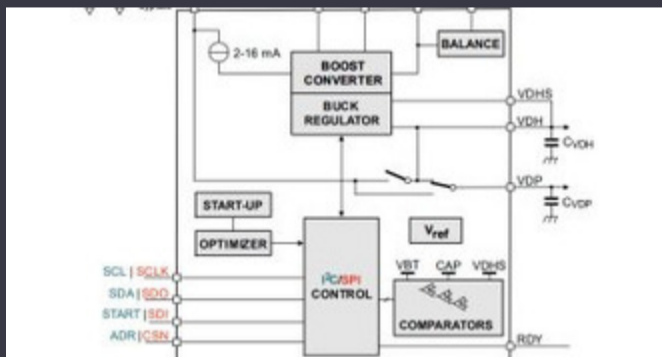
Chonde dinani "Pezani mawu" ndikudzaza minda yonse yofunikira. Tikuyankha pempho lanu patatha maola 24 kudzera pa imelo. Ngati mukukumana ndi zovuta zilizonse, chonde siyani uthenga kapena imelo ku info@global-ic.hk, ndipo tidzabweranso kwa inu posachedwa.

PEZANI MTENGO

ASA1 VN460SP13TR

Voltage - Supply (Vcc / Vdd)	Not Required	Voltage - Lod	5.5V ~ 36V
Sintha mtundu	Relay, Solenoid Driver	Phukusi la Chipangizo Chothandizira	10-PowerSO
Mndandanda	-	Ndemanga Pa (Chinthu)	20mOhm (Max)
Kugwirizana - Kulowetsa: Kuchokera	1:1	Phukusi / Mlanduwu	PowerSO-10 Exposed Bottom Pad
Phukusi	Tape & Reel (TR)	Mtundu Wotsatsa	N-Channel
Kukonzekera Kuchokera	High Side	Kutantha Kwambiri	-40°C ~ 150°C (TJ)
Chiweregero cha Zotsatira	1	Mtundu Wokwera	Surface Mount
Chiyankhulo	On/Off	Mtundu Wotsatsa	Non-Inverting
Mawonekedwe	Status Flag	Chitetezo Cholakwika	Current Limiting (Fixed), Open Load Detect, Over Temperature, Over Voltage
Zamakono - Zolembe (Max)	25A	Nambala Yogulitsa	VN460

Nkhani Zokhudzana



IC imadumphira pansu pofuula

2023/07/11

Gan, yotetezedwa bwino imatsegulidwa kuthengo kwa malo ogulitsa, magalimoto ndi pv

2023/09/7

Mawonekedwe: Makina oyambilira a nyama yopanda tanthauzo

2023/07/14

Pukuni katatu wa atomu x7000 bolodi ya 4x 2.5Gbit / S Ethernet ndi 2x Rs-485

2023/03/16

2023/08/21

Zothandizira: Tsogolo la chitetezo chamagalimoto mwa kapangidwe

Eumaw: ROHDE & SCHWARZ imathandizira kukonza ma radar

2023/04/19

2023/09/15

Maso a Iasby amamva gawo la msika wa IoT ndi geniotech sbcs

Momwe Zakhaira Zochitika

2023/07/18

2023/07/19

Toshiba imawonjezera ma pini anyai a SIN SICS mosfot kuti achepetse zotayika

Kusintha kwa 5V Kutumiza kumaphatikizaponso kuletsa malire olets

2023/08/31

2023/08/17

Infortineon amayesa ma PCBS

2023/07/28