



MAX4205ESA+

Gawo la Nambala	MAX4205ESA+	Mkhalidwe wa RoHS	
Wopanga / Chinthu	Analog Devices / Maxim Integrated	Zolemba	5203 pcs stock
Mafotokozedwe Akatundu	IC BUFFER 2 CIRCUIT 8SOIC	Chombo Chochokera	Hong Kong
Datasheets	MAX4200-05.pdf	Njira Yoperekera	DHL/Fedex/TNT/UPS/EMS

Pezani Mtengo

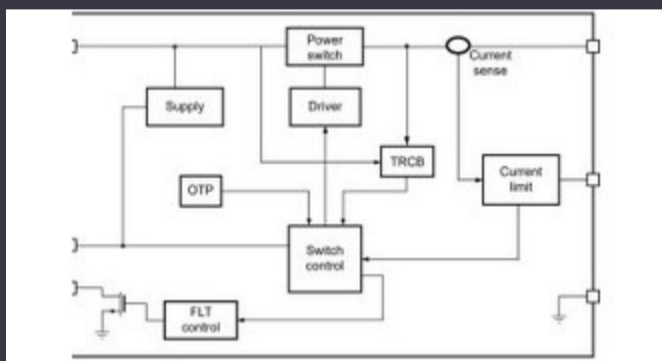
Chonde dinani "Pezani mawu" ndikudzaza minda yonse yofunikira. Tikuyankha pempho lanu patatha maola 24 kudzera pa imelo. Ngati mukukumana ndi zovuta zilizonse, chonde siyani uthenga kapena imelo ku info@global-ic.hk, ndipo tidzabweranso kwa inu posachedwa.

PEZANI MTENGO

ASA1 MAX4205ESA+

Magetsi - kupereka span (min)	8 V	Magetsi - kupereka span (max)	11 V
Mphamvu	1 mV	Phukusi la Chipangizo Chothandizira	8-SOIC
Ndalama Yotsalira	4200V/μs	Mndandanda	-
Phukusi / Mlanduwu	8-SOIC (0.154", 3.90mm Width)	Phukusi	Bulk
Mtundu Wotsatsa	-	Kutentha Kwambiri	-40°C ~ 85°C
Chiwerengero cha maulendo	2	Mtundu Wokwera	Surface Mount
Zamakono - Supply	2.2mA (x2 Channels)	Zamakono - Zolemba / Channel	44 mA
Zamakono - Zopangira Zolemba	800 nA	Nambala Yogulitsa	MAX420
Mtundu wa Amplifier	Buffer	-3db Bandwidth	720 MHz

Nkhani Zokhudzana



Kusintha kwa 5V Kutumiza kumaphatikizaponso kuletsa malire oletsa
2023/08/17

Semefor Semiconduct Catapult ikukula kukhala bristol, Glasgow ndi Durham
2023/07/20

Maunio ndi malo ake mu chisinthiko cha Bluetooth
2023/07/19

Eumaw: ROHDE & SCHWARZ imathandizira kukonza ma radar
2023/09/15

Chiwonetsero cha Battery: Bel amachepetsa 4kW Galimoto ya DC-DC Chotembenezira mu m'badwo wachiwiri
2023/09/7

Module ya waya ndi waya wa Bespoke ndi magalimoto otsika
2023/09/13

Cobot ya Schneider ikhoza kukweza 3kg ndi malo mpaka 20μm
2023/08/7

Bargwarner imapeza mphamvu yochokera ku St komanso Olima
2023/08/31

London yamagetsi yamagetsi yamagalimoto kuti mulumikizane ndi wopanga a Arizona
2023/08/15

TDK imawonjezera njira yamphamvu kumira ku ALTI-KW DC PSUS
2023/09/15

Mabanki apamwamba osungira mphamvu
2023/08/16

WorldDed World: Kuyankhulana Kanema - Kutalika pa R & D, kapangidwe ndi kugulitsa posungira
2023/03/27