



Chithunzi chingakhale choyimira. Onani ndondomeko zogwiritsira ntchito mankhwala.

MB89635PF-GT-1334-BNDE1

Gawo la Nambala	MB89635PF-GT-1334-BNDE1	Mkhalidwe wa RoHs	N/A
Wopanga / Chinthu	Cypress Semiconductor (Infineon Technologies)	Zolembe	4047 pcs stock
Mafotokozedwe Akatundu	IC MCU 8BIT 16KB MROM 64QFP	Chombo Chochokera	Hong Kong
Datasheets		Njira Yoperekera	DHL/Fedex/TNT/UPS/EMS

Pezani Mtengo

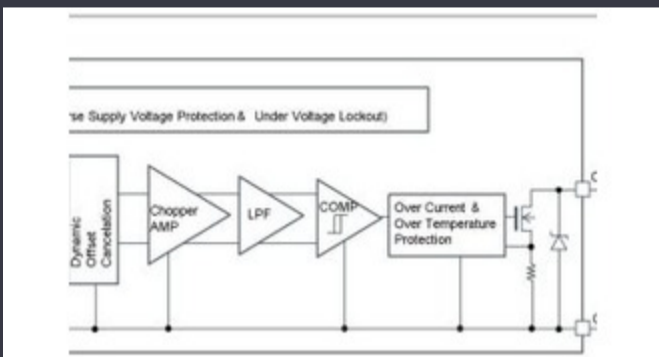
Chonde dinani "Pezani mawu" ndikudzaza minda yonse yofunikira. Tikuyankha pempho lanu patatha maola 24 kudzera pa imelo. Ngati mukukumana ndi zovuta zilizonse, chonde siyani uthenga kapena imelo ku info@global-ic.hk, ndipo tidzabweranso kwa inu posachedwa.

PEZANI MTENGO

ASA1 MB89635PF-GT-1334-BNDE1

Voltage - Supply (Vcc / Vdd)	2.2V ~ 6V	Phukusi la Chipangizo Chothandizira	64-QFP (14x20)
Kuthamanga	10MHz	Mndandanda	F2MC-8L MB89630
RAM Size	512 x 8	Mtundu wa Memory Memory	Mask ROM
Kukula kwa Memory Memory	16KB (16K x 8)	Mipiritsi	POR, PWM, WDT
Phukusi / Mlanduwu	64-BQFP	Phukusi	Tray
Mtundu wa Oscillator	External	Kutentha Kwambiri	-40°C ~ 85°C (TA)
Chiweregero cha I / O	53	Mtundu Wokwera	Surface Mount
EEPROM Kukula	-	Otsatsa Deta	A/D 8x10b
Core Size	8-Bit	Core Processor	F2MC-8L
Kulumikizana	EBI/EMI, Serial I/O, UART/USART	Nambala Yogulitsa	MB89635

Nkhani Zokhudzana



Zowunikira zamagetsi zamagetsi zimagwira ntchito mpaka 38V
2023/08/23

Bargwarner imapeza mphamvu yochokera ku St komanso Olima
2023/08/31

12V kapena 48V Maulamuliro Maulamuliro amapulumsa nsonga za 800W
2023/09/13

Maso a Iasby amamva gawo la msika wa IoT ndi geniatech sbcs
2023/07/18

Sony akufuna kamera pama drones ndi maloboti a ogwiritsa ntchito mafakitale
2023/09/6

Mawonekedwe: Makina oyambilira a nyama yopanda tanthauzo
2023/07/14

Eumaw: ROHDE & SCHWARZ imathandizira kukonza ma radar
2023/09/15

Lipoti Lotsogola Kwambiri
2023/04/26

Rutrone ndi kusaina kwamembala kumabweretsa Ioot Genio mndandanda waku Europe ndi Israeli
2023/07/4

Tricllera imakhazikitsa tsiku loti zikhale zokambirana zingapo
2023/08/22

Mabanki apamwamba osungira mphamvu
2023/08/16

Terran kapena kufalitsa mabatani, othandizira mabasi asanu ndi awiri a satellite
2023/09/13